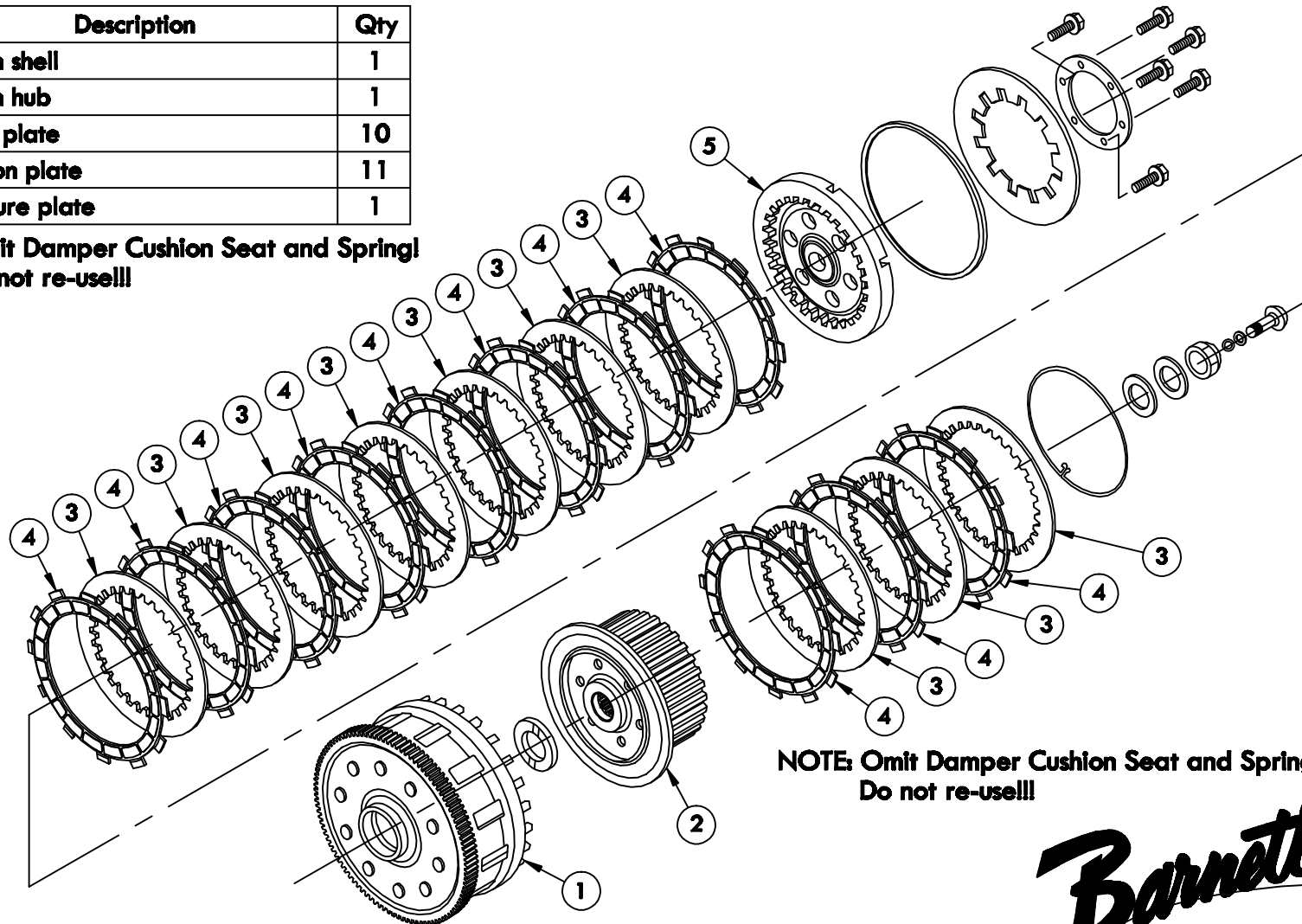


CLUTCH KIT 306-90-10093 YAMAHA YXZ1000R SIDE-BY-SIDE

No.	Description	Qty
1.	Clutch shell	1
2.	Clutch hub	1
3.	Steel plate	10
4.	Friction plate	11
5.	Pressure plate	1

**NOTE: Omit Damper Cushion Seat and Spring!
Do not re-use!!!**



**NOTE: Omit Damper Cushion Seat and Spring!
Do not re-use!!!**

Barnett
Clutches
Cables &